



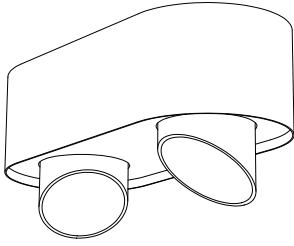
# SHUFFLE

DESIGNED BY MICHEL VYVEY

**tossB**

**PRODUCT INFORMATION**

## SHUFFLE SURFACE

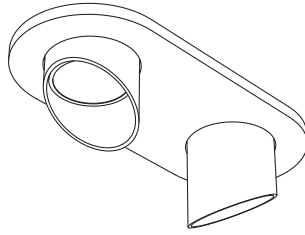


LAMP TYPE	RETROFIT LED
FITTING	GU10
WATTAGE	2x10W
VOLTAGE	230V
GEAR	-
CLASS	1

### ORDER CODE

BLACK	T49S5HZL
WHITE	T49S5HWL

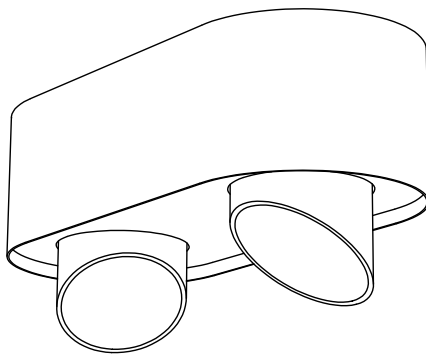
## SHUFFLE RECESSED



LAMP TYPE	RETROFIT LED
FITTING	GU10
WATTAGE	2x10W
VOLTAGE	230V
GEAR	-
CLASS	1

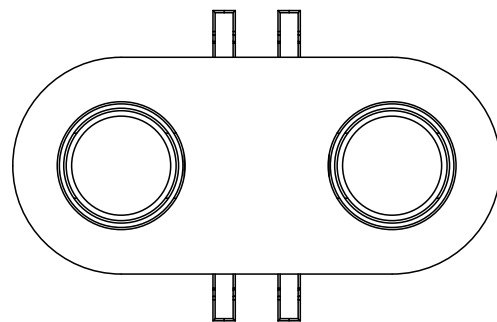
### ORDER CODE

BLACK	T49S2HZL
WHITE	T49S2HWL



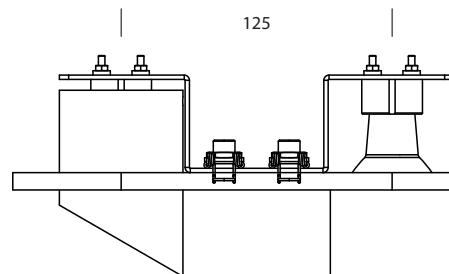
227 MM

65 MM



100

125



52

8

max 78

Ø 57

**tossB**

**TOSSB.COM**  
CREATORS OF LIGHTING UNITS