



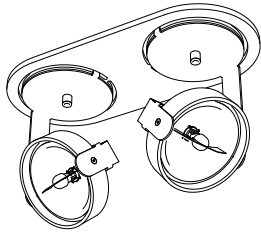
# BIG BANG 2

DESIGNED BY ALAIN MONNENS

**tossB**

**PRODUCT INFORMATION**

## BIG BANG 2 12V



LAMP TYPE	RETROFIT LED
FITTING	GU5.3
WATTAGE	10W
VOLTAGE	12V
GEAR	NOT INCLUDED
CLASS	1

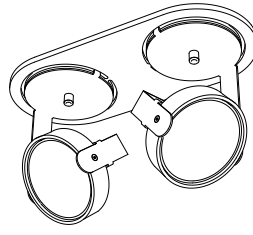
### ORDER CODE H15

ALUMINIUM	T39C2HAB
BLACK	T39C2HZL
WHITE	T39C2HWL

### ORDER CODE H40

ALUMINIUM	T39C3HAB
BLACK	T39C3HZL
WHITE	T39C3HWL

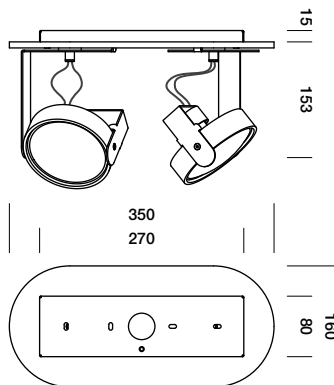
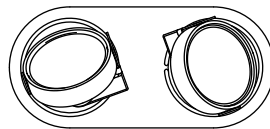
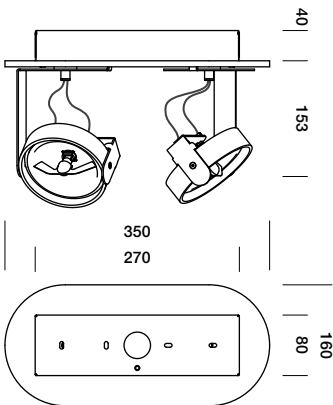
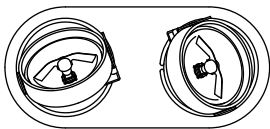
## BIG BANG 2 230V



LAMP TYPE	RETROFIT LED
FITTING	GU10
WATTAGE	10W
VOLTAGE	230V
GEAR	-
CLASS	1

### ORDER CODE

ALUMINIUM	T39C1HAB
BLACK	T39C1HZL
WHITE	T39C1HWL



**tossB**